



RUBLS-EPDM Cold Shrink EPDM Tubes

Connector Insulators RUBLS-EPDM Series



Description

RUBLS-EPDM a series of open-ended, tubular rubber sleeves, which are factory expanded and assembled onto a removable core. They are supplied for field installation in this pre-stretched condition. The core is removed after the tube has been positioned for installation over an in line connection, terminal lug, etc., allowing the tube to shrink and form a waterproof seal. The insulating tube is made of EPDM rubber, which contains no chlorides or sculptures. Various diameter sizes will cover a range of 1000 volt cables, copper and aluminum conductors.

Unique Advantages

- Excellent weather resistance, ultraviolet aging resistance and higher embrittlement resistance than heat shrink tubing
- More resistant to slab and prick, abrasion, acid and alkali than silicone cold shrink tubing
- Simultaneously expands and shrinks with workpieces without clearances, seals tight in harsh environment
- Stably sealing the workpieces in windy environment
- Well suited for cable less than 1KV
- Seals tight, retains its resiliency and pressure even after prolonged years of ageing and exposure.
- Simple , safe installation, requires no tools or special training. No torches or heat work required.
- Diameter shrinkage: $\geq 50\%$
- Sealing class IP68



Applications

- Primary electrical insulation for all solid dielectric (rubber and plastic) insulated wire and cable splices rated to 1000volts
- Meets ANSI C119.1, directly buriable or submersible
- For indoor, outdoor, or overhead use
- Physical protection and moisture sealing for high-voltage, air-insulated connectors and lugs such as spacer cable and lug connections to bus bar
- Insulation of secondary splices copper or aluminum conductors
- Relocation of service
- Dig-in repairs, sheath repairs
- Insulation of inline conductor transition connectors
- Sealing of coax cables with Type N or 7/16 DIN connectors on wireless communication towers

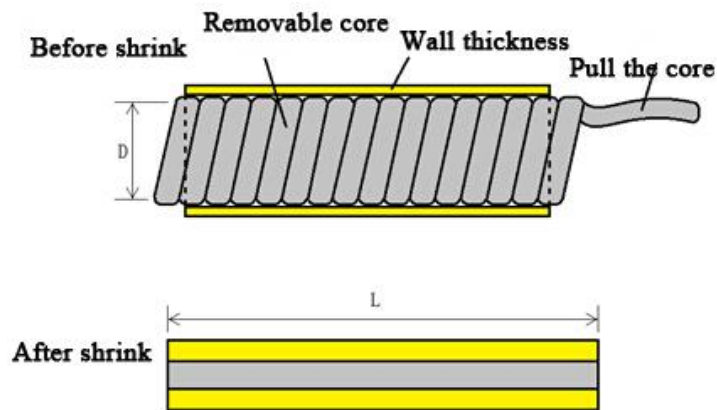
Technical Performance

Properties	Typical Data	Test method
HS	49 A	ASTM D 2240-75
Tensile Strength	9.8 MPa	ASTM D412-75
Elongation at break	720%	ASTM D412-75
Tear Strength	27 N/ mm	ASTM D624C-73
Dielectric Strength	14.3kV/mm	ASTM 149-75
Dielectric Constants	5.0(Initial data)/5.6(90degree in the water for 7 days))	/
Anti-enzyme (bacteria)	The 28 day exposure without growth	ASTM G-21



UV Resistant	UV irradiation for 2000 hours without aging	ASTM G-53
--------------	---	-----------

Structure



Dimensions

Size (mm)	Corresponding 3M's model	Inner Diameter D(mm)	Min Cable Outer diameter (mm)	Max Cable Outer Diameter (mm)	Recovered Length L(mm)
VE18-3		Φ18	7.8	14.3	80
VE18-6	8423-6	Φ18	7.8	14.3	152
VE18-7	8424-7 (*)	Φ18	7.8	14.3	178
VE24-8	8424-8(*)	Φ20	2.54	20.9	203



**Your Specialist in Insulation
& Sealing and Protection Solution!**

TEL : +86-512-66386707/66386808/66386909
FAX : +86-512-66386908

VE25-7	8425-7	Φ25	10.1	20.9	178
VE25-8	8425-8	Φ25	10.1	20.9	203
VE25-11		Φ25	10.1	20.9	279
VE25-12		Φ25	10.1	20.9	305
VE28-5	CXS-1 (*)	Φ28	8.0	22.5	125
VE35-6		Φ35	13.9	30.1	152
VE35-8		Φ35	13.9	30.1	203
VE35-9	8426-9	Φ35	13.9	30.1	229
VE35-11	8426-11	Φ35	13.9	30.1	279
VE42-6	8427-6	Φ42	16.8	35.1	152
VE42-8		Φ42	16.8	35.1	203
VE42-10		Φ42	16.8	35.1	254
VE42-12	8427-12	Φ42	16.8	35.1	305
VE42-16	8427-16	Φ42	16.8	35.1	406
VE42-18		Φ42	16.8	35.1	457
VE50-8	CXS-2	Φ50	13.5	43.7	203
VE58-6	8428-6	Φ58	24.0	49.3	152
VE58-7		Φ58	24.0	49.3	178
VE58-8		Φ58	24.0	49.3	203
VE58-10		Φ58	24.0	49.3	254



**Your Specialist in Insulation
& Sealing and Protection Solution!**

TEL : +86-512-66386707/66386808/66386909
FAX : +86-512-66386908

VE58-12	8428-12	Φ58	24.0	49.3	305
VE58-18	8428-18	Φ58	24.0	49.3	457
VE58-24	8428-24	Φ58	24.0	49.3	610
VE58HP-10	98KC-21 (*)	Φ58	20.5	51.0	254
VE65-10	CXS-3 (*)	Φ65	23.7	57.5	254
VE77-6	8429-6	Φ77	32.2	67.8	152
VE77-7		Φ77	32.2	67.8	178
VE77-9	8429-9	Φ77	32.2	67.8	229
VE77-12	8429-12	Φ77	32.2	67.8	305
VE77-13		Φ77	32.2	67.8	330
VE77-14		Φ77	32.2	67.8	355
VE77-18	8429-18	Φ77	32.2	67.8	457
VE77-22		Φ77	32.2	67.8	550
VE77HP-13	98KC-31 (*)	Φ77	27.4	70.0	330
VE105-8		Φ105	42.6	93.7	203
VE105-9	8430-9	Φ105	42.6	93.7	229
VE105-18	8430-18	Φ105	42.6	93.7	457
VE105-20		Φ105	42.6	93.7	508
VE120-24		Φ120	33.0	114.3	610
VE160-24		Φ160	60.0	154.0	620

Remark : *Product contains range –extending adapters (Without adapters, 8424-8/8425-8 ranges are identical.)